

Flamaster

www.flamasterusa.com

Project name: _____

Location: _____

Item#: _____ QTY: _____

Model#: _____

Gas Range

Model: FLM-R48-24MG



- 30,000 BTU per Top burner,
30,000 BTU per Griddle (manual or Tst) at 12",
33,000 BTU per Static oven
- Stainless steel front backriser, lift-off high shelf.
- Oven thermostat adjust from 200°F – 500°F
Standard oven cavity measures
20"x22.5"x13 3/4" (24" & 48" range series)
26"x22.5"x13 3/4" (36" & 60" range series)
Oven interior side guides & bottom porcelain coated.
- Shipped standard Natural gas, LP conversion kit included.
- Optional casters.
- The sturdy construction for demanding commercial cooking applications. User friendly operation with simple controls and easy to clean.
- 24" 36" 48" and 60" ranges series, different functions combined.
- Griddle (Manual/Thermostat control), Charbroiler, Hot plate on top Bottom Static oven(s).
- This appliance is manufactured for commercial installation only, not intended for home use.
- 3/4" NPT rear gas connections. Supply gas pressure not to exceed 14" W.C. (1/2 PSI).
- Natural gas operating pressure - 5.0" W.C. Recommended supply pressure 7-9" W.C.
- Propane gas operating pressure - 10.0" W.C. Recommended supply pressure 11-12" W.C.

Toll Free: +1(800)373-8699
flamaster@chefmindgroup.com
Address: 1189S Jellick Ave,
City of Industry, CA 91748



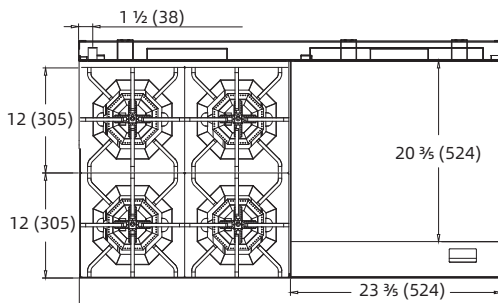
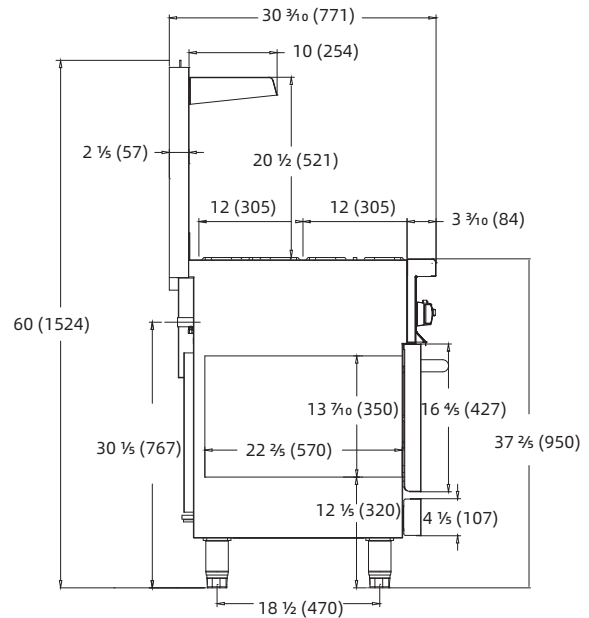
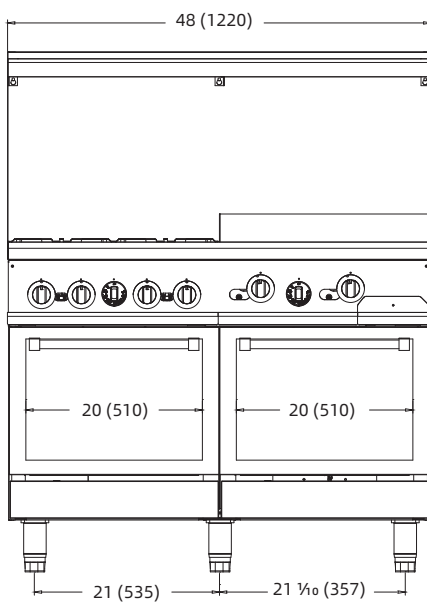
Gas Range

Model: FLM-R48-24MG

•CSA C/US and SANITATION Listed

MODEL	GAS RANGE DESCRIPTION	WIDTH	TOTAL BURNERS		
			TOP OPEN BURNERS	TOP GRIDDLE	Bottom Oven
FLM-R48-24MG	48" Range - 4 top burner+24"griddle	48"	4	2	2

OVERALL DIMENSIONS	TOTAL BTU		STANDARD OVEN CAVITY MEASURES	NET WEIGHT	SHIPPING DIMENSIONS	Shipping Weight
	NG	LP				
48 X 31 ³ / ₈ X 60	246,000	218,000	20 X 22 ¹ / ₂ X 13 ³ / ₄	579 lbs.(263 kg)	51 ¹ / ₂ X 36 ³ / ₈ X 46 ¹ / ₈	702 lbs.(319 kg)



1 YEAR PARTS WARRANTY



CHEFMIND GROUP INC.

SPECIFICATIONS SUBJECT TO CHANGE WITHOUT NOTICE