

47" Countertop Refrigerated Sushi Display Case

Model: RT-1200L-2



- Tested to NSF Standard 7 requirements for open food storage.
- Digital temperature controller and display, that ranges from 32 to 53.6 degrees Fahrenheit.
- The cooling area prevents the equipment from overheating and achieves the cooling effect better.
- Stainless steel pans have a longer service life.
- 4 sides glass.
- Direct cooling system.
- Automatic defrost.
- With GN PAN

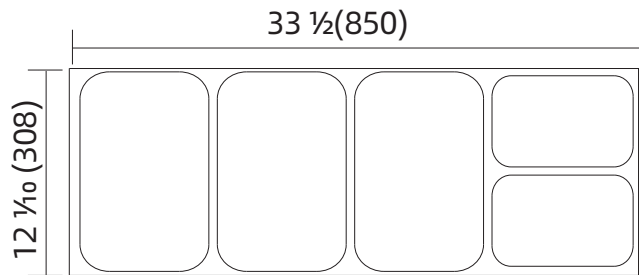
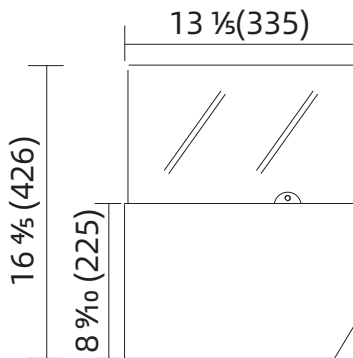
47" Countertop Refrigerated Sushi Display Case

Model: RT-1200L-2

•ETL Certified For Safety & Sanitation



MODEL	EXTERNAL DIMENSION (inches)	V/Hz/Ph	CAPACITY-GROSS	NET WEIGHT (lbs.)	TEMPERATURE	REFRIGERANT	AMPS	NEMA PLUG	SHIPPING WEIGHT (lbs.)
RT-1200L-2	47 1/8 x 15 3/8 x 16 1/8	115/60/1	3*1/4 GN+2*1/3 GN	89.3	32°F to 53.6°F	R290	1.5	5-15P	94



1 YEAR PARTS WARRANTY (NOT FOR RESIDENTIAL USE)

