

47" Countertop Refrigerated Sushi Display Case

Model: RT-1200L-2S



- *This commercial refrigerated sushi display case is constructed with solid all-stainless steel.*
- *Hydrocarbon refrigerants (R-290).*
- *Refrigerator maintains a temperature range of 32°F to 53.6°F for optimal food preservation.*
- *Digital temperature display and control with precise regulation capabilities.*
- *Side mount compressor makes it easy to be serviced without being moved.*
- *The cabinet accommodates 3 x 1/3-size GN + 2 x 1/4-size GN pans, enabling flexible and efficient product arrangement.*

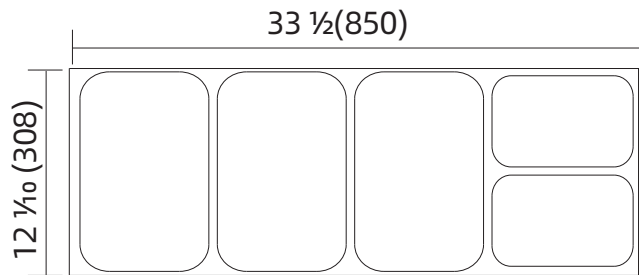
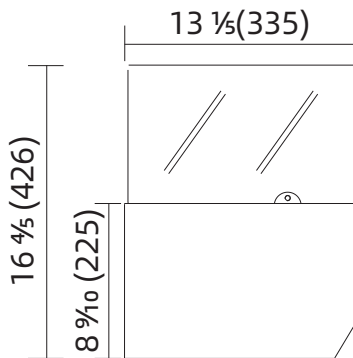
47" Countertop Refrigerated Sushi Display Case

Model: RT-1200L-2S

•ETL Certified For Safety & Sanitation



MODEL	EXTERNAL DIMENSION (inches)	V/Hz/Ph	CAPACITY-GROSS	NET WEIGHT (lbs.)	TEMPERATURE	REFRIGERANT	AMPS	NEMA PLUG	SHIPPING WEIGHT (lbs.)
RT-1200L-2S	47 3/10 x 15 3/8 x 16	110-120/60/1	3*1 1/3 GN + 2*1/4 GN	80	32°F to 53.6°F	R290	1.5	5-15P	94



1 YEAR PARTS WARRANTY (NOT FOR RESIDENTIAL USE)

