

18" 4-Sided Glass Refrigerated Display Case

Model: RT-78L-3



- Tested to NSF Standard 7 requirements for open food storage.
- Internal Top LED light.
- Digital Temperature Control.
- Display case uses R-290 refrigerant, which keeps the interior temperature at a safe level between 32°F-53.6°F.
- Adjustable PVC coated shelves.
- 4 sides double glass.
- Maintenance free condenser.
- Ventilated cooling system.
- Automatic defrost.
- Air duct outside the glass to remove condensation water.
- Lockable Door.
- Brilliant Internal LED illumination on sides.

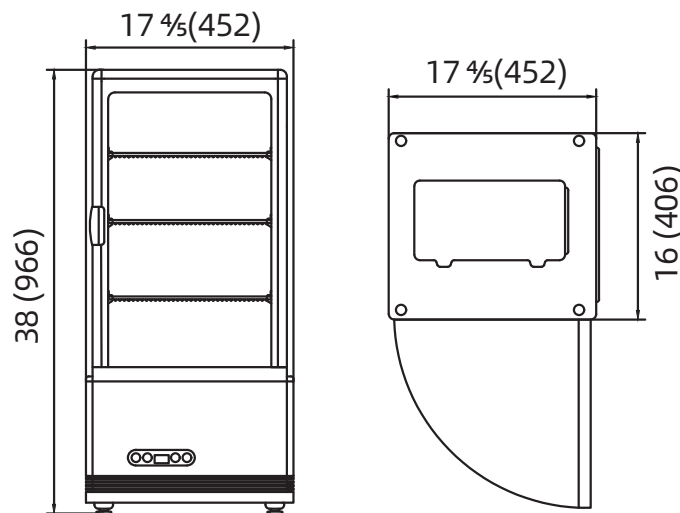
18" 4-Sided Glass Refrigerated Display Case

Model: RT-78L-3

•ETL Certified For Safety & Sanitation



MODEL	EXTERNAL DIMENSION (inches)	V/Hz/Ph	STORAGE CAPACITY L	NET WEIGHT (lbs.)	TEMPERATURE	REFRIGERANT	AMPS	DOORS	NEMA PLUG	SHIPPING WEIGHT (lbs.)
RT-78L-3	17 1/2 x 16 x 38	115/60/1	78	79.4	32°F to 53.6°F	R290	2	1	5-15P	84



1 YEAR PARTS WARRANTY (NOT FOR RESIDENTIAL USE)



CHEFMIND GROUP INC.

SPECIFICATIONS SUBJECT TO CHANGE WITHOUT NOTICE