

35" Countertop Refrigerated Bakery Display Case

Model: RTQ-160L-4



- Tested to NSF Standard 7 requirements for open food storage.
- Brilliant internal LED illumination on top.
- Digital temperature controller and display, uses R-290 refrigerant, which keeps the interior temperature at a safe level between 32°F-53.6°F.
- Includes 2 Adjustable Shelves.
- 4 sides double glass Front Curved glass.
- Sliding doors.
- Maintenance free condenser.
- Ventilated cooling system.
- Automatic defrost.
- Air duct outside the glass to remove condensation water.

Toll Free: +1 (800) 373-8699
polarman@chefmindgroup.com
Address: 1189S Jellick Ave,
City of Industry, CA 91748



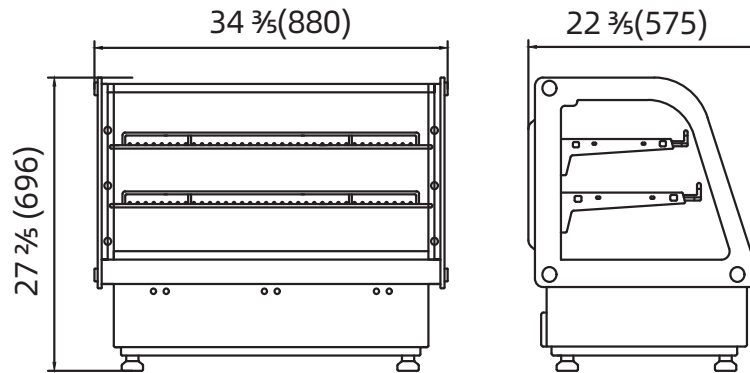
35" Countertop Refrigerated Bakery Display Case

Model: RTQ-160L-4

•ETL Certified For Safety & Sanitation



MODEL	EXTERNAL DIMENSION (inches)	V/Hz/Ph	CAPACITY-GROSS	NET WEIGHT (lbs.)	TEMPERATURE	REFRIGERANT	AMPS	RATED INPUT POWER W	NEMA PLUG	SHIPPING WEIGHT (lbs.)
RTQ-160L-4	34 3/8 x 22 3/8 x 27 3/8	115/60/1	146L	153.2	32°F to 53.6°F	R290	3	330	5-15P	161



1 YEAR PARTS WARRANTY (NOT FOR RESIDENTIAL USE)



CHEFMIND GROUP INC.

SPECIFICATIONS SUBJECT TO CHANGE WITHOUT NOTICE