

## 36" Countertop Heated Display Case

### Model: RTR-136L



- Tested to NSF Standard 7 requirements for open food storage.
- Sliding Door Design, The design of sliding doors can greatly save space for your store or restaurant.
- Our showcase has three adjustable chrome plated shelves.
- Digital Temperature Control, Our display case uses R290 refrigerant, which keeps the interior temperature at a safe level between 86°F - 194°F.
- This crumb tray can effectively hold food crumbs.
- Brilliant Internal LED illumination on top.

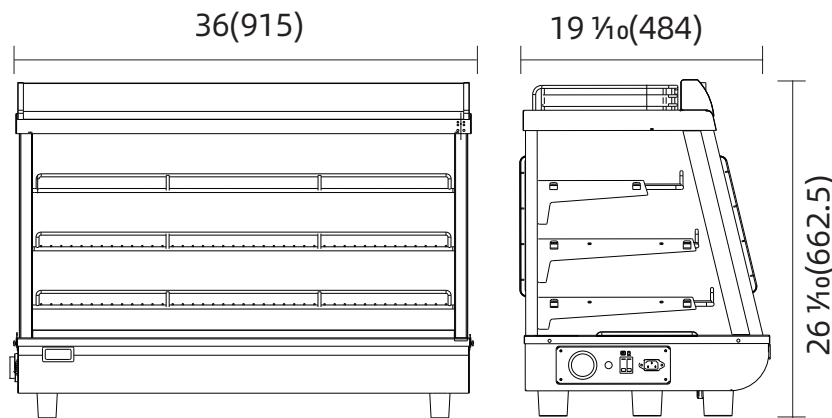
# 36" Countertop Heated Display Case

## Model: RTR-136L

**•ETL Certified For Safety & Sanitation**



MODEL	EXTERNAL DIMENSION (inches)	V/Hz/Ph	STORAGE CAPACITY L	DOORS	TEMPERATURE	REFRIGERANT	AMPS	RATED INPUT POWER W	NEMA PLUG	SHIPPING WEIGHT (lbs.)
RTR-136L	36 x 19 1/10 x 26 1/10	115/60/1	136	2	86°F to 194°F	R290	10	1100	5-15P	96



**1 YEAR PARTS WARRANTY (NOT FOR RESIDENTIAL USE)**



**CHEFMIND GROUP INC.**

SPECIFICATIONS SUBJECT TO CHANGE WITHOUT NOTICE