

## 27" Countertop Heated Display Case

### Model: RTR-96L



- *Tested to NSF Standard 7 requirements for open food storage.*
- *Sliding Door Design, The design of sliding doors can greatly save space for your store or restaurant.*
- *Our showcase has three adjustable chrome plated shelves.*
- *Digital Temperature Control, Our display case uses R290 refrigerant, which keeps the interior temperature at a safe level between 86°F - 194°F.*
- *This crumb tray can effectively hold food crumbs.*
- *Brilliant Internal LED illumination on top.*

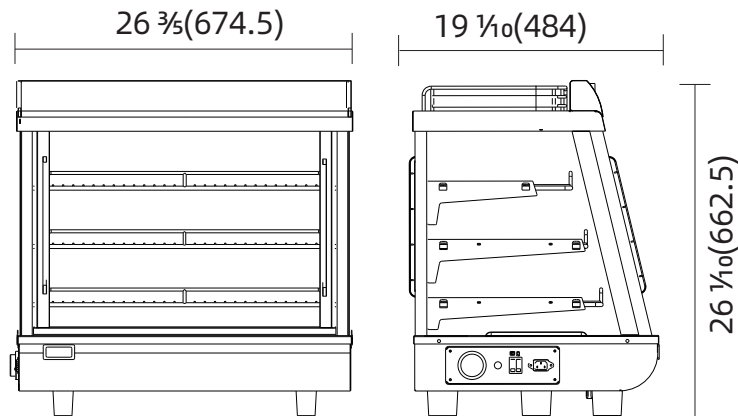
# 27" Countertop Heated Display Case

## Model: RTR-96L

**•ETL Certified For Safety & Sanitation**



MODEL	EXTERNAL DIMENSION (inches)	V/Hz/Ph	STORAGE CAPACITY L	DOORS	TEMPERATURE	REFRIGERANT	AMPS	RATED INPUT POWER W	NEMA PLUG	SHIPPING WEIGHT (lbs.)
RTR-96L	26 3/8 x 19 1/10 x 26 1/10	115/60/1	96	2	86°F to 194°F	R290	9.5	1000	5-15P	80



**1 YEAR PARTS WARRANTY (NOT FOR RESIDENTIAL USE)**



**CHEFMIND GROUP INC.**

SPECIFICATIONS SUBJECT TO CHANGE WITHOUT NOTICE