

45" Countertop Refrigerated Sushi Display Case

Model: RTS-44L



- Tested to NSF Standard 7 requirements for open food storage.
- Brilliant internal LED illumination on top.
- Which keeps the interior temperature at a safe level between 32°F-53.6°F.
- Our display case uses R-290 refrigerant.
- It's equipped with a rear sliding glass door.
- Front Flat glass.
- Direct cooling system.
- GN pan can be ordered

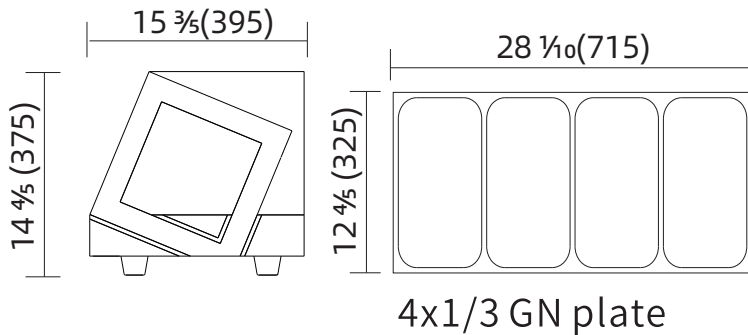
45" Countertop Refrigerated Sushi Display Case

Model: RTS-44L

•ETL Certified For Safety & Sanitation



MODEL	EXTERNAL DIMENSION (inches)	V/Hz/Ph	CAPACITY-GROSS	NET WEIGHT (lbs.)	TEMPERATURE	REFRIGERANT	AMPS	DOORS	NEMA PLUG	SHIPPING WEIGHT (lbs.)
RTS-44L	44 1/2 x 15 3/8 x 14 1/8	115/60/1	4*1/3 GN	86	32°F to 53.6°F	R290	1.6	2	5-15P	93



1 YEAR PARTS WARRANTY (NOT FOR RESIDENTIAL USE)

