

# 48" Stainless Steel Vertical Air Curtain Merchandiser

## Model: RTS-490LS



- Tested to NSF Standard 7 requirements for open food storage.
- Brilliant Internal LED lighting at 2 front sides.
- Digital temperature controller and display, uses R-290 refrigerant, which keeps the interior temperature at a safe level between 35.6°F-50°F.
- In addition to the bottom shelf, it also comes with 3 adjustable coated steel shelves.
- 4 Castors with 2 brakes.
- Double tempered glass.
- With night curtain It can play a role in maintaining the temperature.
- Ventilated cooling system.
- Automatic defrost.
- Condensation water evaporated automatically.
- Condensator at back side, free maintenance.

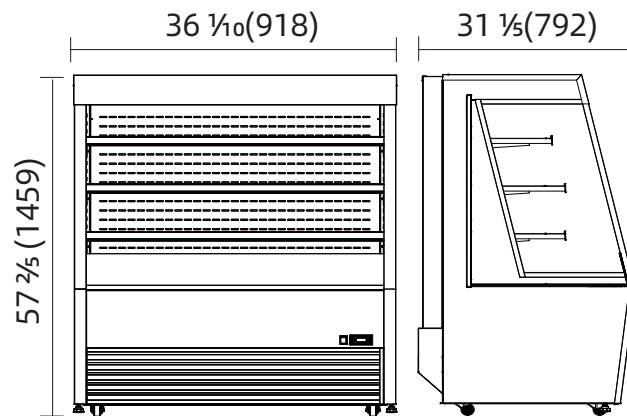
# 48" Stainless Steel Vertical Air Curtain Merchandiser

## Model: RTS-490LS

**•ETL Certified For Safety & Sanitation**



MODEL	EXTERNAL DIMENSION (inches)	V/Hz/Ph	CAPACITY-GROSS	NET WEIGHT (lbs.)	TEMPERATURE	REFRIGERANT	AMPS	RATED INPUT POWER W	NEMA PLUG	SHIPPING WEIGHT (lbs.)
RTS-490LS	47 7/8 x 31 1/2 x 57 7/8	115/60/1	426L	370.4	35.6°F to 50°F	R290	13	1200	5-15P	406



**1 YEAR PARTS WARRANTY (NOT FOR RESIDENTIAL USE)**

