

# 53" Countertop Refrigerated Sushi Display Case

## Model: RTS-52L



- Tested to NSF Standard 7 requirements for open food storage.
- Brilliant internal LED illumination on top.
- Our display case uses R-290 refrigerant, which keeps the interior temperature at a safe level between 32°F-53.6°F.
- The design of sliding doors can greatly save space.
- A drain is located in the back of the unit to re-route water collected by the automatic defrost system.
- Front Curved glass Sliding doors.
- Direct cooling system.
- Automatic defrost.
- Top evaporator with basin to collect condensation.
- GN pan can be ordered.
- Light box for advertisement.

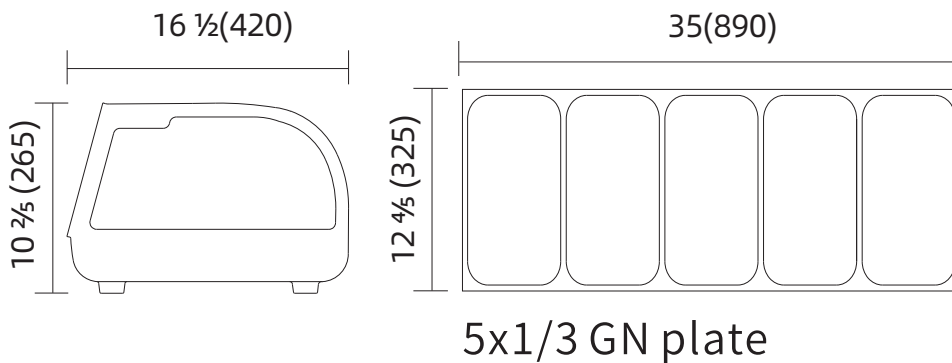
# 53" Countertop Refrigerated Sushi Display Case

## Model: RTS-52L

**•ETL Certified For Safety & Sanitation**



| MODEL   | EXTERNAL DIMENSION (inches) | V/Hz/Ph  | CAPACITY-GROSS | NET WEIGHT (lbs.) | TEMPERATURE    | REFRIGERANT | AMPS | DOORS | NEMA PLUG | SHIPPING WEIGHT (lbs.) |
|---------|-----------------------------|----------|----------------|-------------------|----------------|-------------|------|-------|-----------|------------------------|
| RTS-52L | 53 1/8 x 16 1/2 x 10 3/8    | 115/60/1 | 5*1/3 GN       | 84.9              | 32°F to 53.6°F | R290        | 1.3  | 2     | 5-15P     | 90                     |



**1 YEAR PARTS WARRANTY (NOT FOR RESIDENTIAL USE)**

